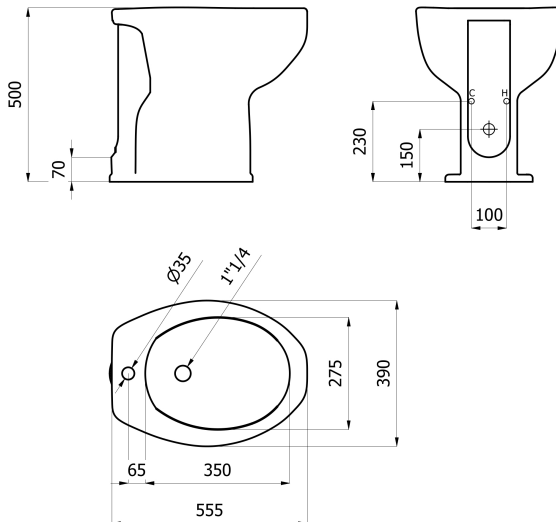


PRODUCT TECHNICAL SHEET

TECHNICAL DRAWING



PHOTO

non disponibile

PRODUCT FAMILY: SANITARYWARE

CODE: 421_B

DESCRIPTION: Floor standing bidet. "Basic" series.

MECHANICAL PERFORMANCES:

Compliant with regulation EN 14528

CERTIFICATIONS:

TUV system certification UNI EN ISO 9001.

Declaration of Conformity according to European Council Directive UE 305/2011 for construction

products as regards sanitary appliances.

Reference regulations: EN 14528

PRODUCT FEATURES:

Bidet floor standing serie Basic. Hole for tap \varnothing 35 mm. Vertical fixing suitable for standard brackets. Overflow hole. Hole for standard drain 1"1/4. Rounded shape, with big edge for a better comfort.

FIXING (INSTALLATION):

N° 4 fixing elements

MAINTENANCE:

Check the correct fastening of the toilet periodically.

Clean with water and soap or other suitable products, do not use abrasive or corrosive agents. Dry with a soft cloth.

PRODUCT COMPOSITION:

N° 1 Bidet - Vitreous China - Enameled

TOLERANCE:

GENERAL TOLERANCES

\pm 5% on all dimensions

PRODUCT PACKAGING:

Packed in cardboard box 625 x 440 x 562 mm and positioned on pallet in case many

units are purchased.

Weight: 16 kg

ST_PRODOTTO: 421_B	APPROVATO - 1 R.T.
REV.00 DEL 24/01/20234	

The above mentioned information cannot be considered as binding. Thermomat Saniline S.r.l. reserves the right to make technical and aesthetic changes without any prior notice.

Thermomat Saniline s.r.l.

Via M. Curie, 7 - 46034 Borgo Virgilio (Mantova) ITALY

Tel. + 39 0376 4473

www.thermomat.com - info@thermomat.com



Company with Quality Management System certified according to the standard UNI EN ISO 9001:2015