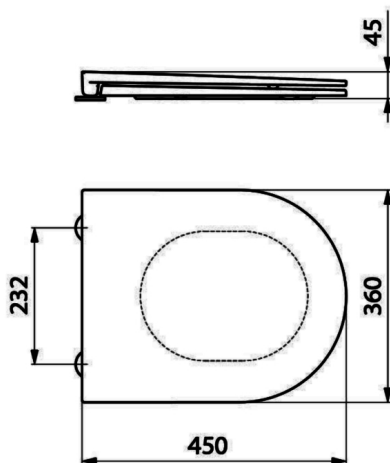


PRODUCT TECHNICAL SHEET

TECHNICAL DRAWING



PHOTO



PRODUCT FAMILY: STAINLESS STEEL SANITARYWARE
CODE: 2042NN
DESCRIPTION: Seat for toilets artt. 2040 and 2054

CERTIFICATIONS:
 TUV certification UNI EN ISO 9001

PRODUCT FEATURES:

Seat made of Duroplast (Urea). Suitable for toilets mod. 2040 and 2054. Black color. Hinges made of stainless steel aisi 304. Easy to clean. Slim line. Suitable for professional or public spaces (hospitals, manufacturing or food processing plants, etc.), for spaces where the maximum resistance against possible vandalism and the highest ease of use are required, for riskful spaces (prisons, protected institutions, etc.), for high traffic spaces (railway stations, airports, subways, etc.) and wherever it is necessary to combine practicality, durability and ease of cleaning.

FIXING(INSTALLATION):

Fasten to the wall by means of the included hinges and screws included

MAINTENANCE:

Check periodically the proper installation of the product.
 Clean with soap and water or other suitable cleanin agents; avoid aggressive, corrosive and abrasive products. Do not use products containing chlorine, hydrochloric acid or its derivatives, other acids or bases, even if diluted. Dry with a soft cloth.

PRODUCT LISTING:

N° 1 Toilet seat - Duroplast

PRODUCT PACKAGING:

Packed in cardboard box.
 Weight: 2,4 kg

ST_PRODOTTO: 2042NN	APPROVATO - 1 R.T.
REV.00 DEL 25/09/20	